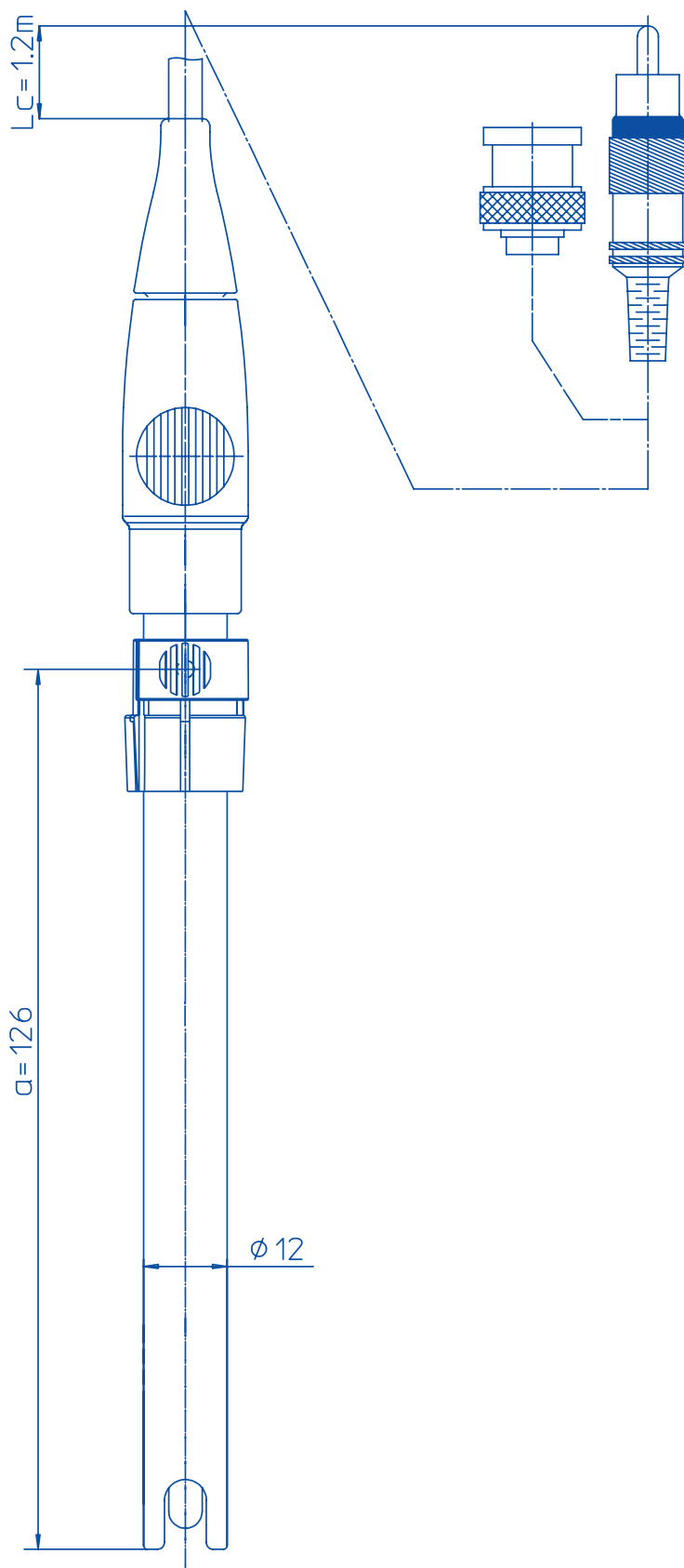


pH



Order number 51343031
former order number -

Specifications
pH range 0 - 14
zero point (pH) 7.00 ± 0.25

temperature range 0 - 100 °C
temperature probe NTC 30 kΩ

shaft material polysulfone
membrane glass U
membrane resistance < 250 MΩ

reference system ARGENTHAL™, Ag⁺ trap
reference diaphragm replaceable ceramic
reference electrolyte 3 mol/L KCl

bridge electrolyte -

electrode head -
cable length 1.2 m
connector BNC / RCA (Cinch)

cell constant (cm⁻¹) -
cell type -

indicating metal -

Storage 3 mol/L KCl

Special features
refillable economy electrode
replaceable ceramic junction
- Tool 51340267
- Set of 10 junctions 51340268
ARGENTHAL™ reference system with Ag⁺ trap
integrated temperature probe NTC 30 kΩ

Scale 1:1