

<b>CORNING</b>	<b>Life Sciences</b>	Document Number: <b>LSR00042</b>	Rev.: <b>7</b>
Description (Class): <b>Reference, Customer Technical Data Sheet – Conical Centrifuge Tubes, 50 mL PP w/cap</b>			Page: <b>1 of 2</b>

**APPLICATIONS:**

- Cell centrifugation: pelleting; separation by density gradients.
- Molecular biology: e.g. centrifugation or pelleting bacterial cells for DNA isolation; purification and precipitation of nucleic acids.
- Sample storage (ambient temperature to -80°C)
- Centrifugation of precipitates.

**FEATURES:**

**Strong, clarified polypropylene**

- Chemically resistant to alcohols and mild organic solvents (not recommended for extraction procedures).
- Hydrophobic, biologically inert surface for good cell or protein recovery.
- Translucent wall permits easy viewing of tube contents.
- Stable from -80°C to +121°C.
- Tested to withstand centrifugation of 16,000 RCF in a fully supported rotor with room temperature water. For specific test conditions and additional guidance on high speed centrifugation, see rotor/adaptor selection guide CLS-DL-CC-083 at [http://catalog2.corning.com/Lifesciences/media/pdf/an\\_DL\\_083\\_Rotor\\_Adaptor\\_Selection%20Guide\\_Falcon\\_Tubes.pdf](http://catalog2.corning.com/Lifesciences/media/pdf/an_DL_083_Rotor_Adaptor_Selection%20Guide_Falcon_Tubes.pdf)

**Conical Design**

- Fits most standard floor model and table-top centrifuges, including many biohazard contained models.

**Flat screw-top cap**

- Biologically inert, high density polyethylene provides a chemically resistant surface.
- Double threaded to reduce cross-threading.

**Dark blue graduations in 5 mL increments**

- Plainly visible with either clear or turbid samples.
- Solvent resistant printing will not rub off.

**White writing area**

- Facilitates sample identification.
- Solvent resistant - will not rub off during routine laboratory procedures.
- Compatible with Sharpie®

**Available in racked or bulk packaging configurations**

- Recyclable polystyrene racks offer convenience of oriented product presentation.
  - Racks include viewing window slots, so samples can be viewed without removing tubes from rack.
  - Rack positions are numbered for easy identification of tube locations.
  - Racks are easily stackable.
- Bulk packaging uses 40% less packaging material, an environmentally friendly alternative.
- Both configurations feature a medical-grade, peel-open format for aseptic presentation of sterile tubes

**STERILITY:**

Product is gamma irradiated.

**REGULATORY COMPLIANCE:**

Falcon® products are manufactured under the current ISO 9001 and the current FDA Quality System Regulation 21 CFR Section 820.

**RESTRICTIONS:**

- Refer to Centrifuge Tube Chemical Resistance Chart at: [http://catalog2.corning.com/Lifesciences/media/pdf/an\\_DL\\_082\\_Falcon\\_Tube\\_Pipet\\_Cultureware\\_Chemical\\_Resistance\\_Chart.pdf](http://catalog2.corning.com/Lifesciences/media/pdf/an_DL_082_Falcon_Tube_Pipet_Cultureware_Chemical_Resistance_Chart.pdf)
- Refer to "Thermoplastics Properties Chart," available at: [http://catalog2.corning.com/Lifesciences/media/pdf/an\\_DL\\_226\\_Falcon\\_ThermoPlastics\\_Broch.pdf](http://catalog2.corning.com/Lifesciences/media/pdf/an_DL_226_Falcon_ThermoPlastics_Broch.pdf)

<b>CORNING</b>	<b>Life Sciences</b>	Document Number: <b>LSR00042</b>	Rev.: <b>7</b>
		Description (Class): <b>Reference, Customer Technical Data Sheet – Conical Centrifuge Tubes, 50 mL PP w/cap</b>	

**Material:** Clarified Polypropylene

**Related Catalog Numbers:**

<u>Cat. No.</u>	<u>Packout Description</u>	<u>Cap</u>	<u>Sterile</u>	<u>Graduations</u>	<u>Wr. Patch</u>	<u>Rack</u>
352070	25/Bag, 500/Case	Plug Seal	Yes	Printed	Yes	No
352098	25/Rack, 500/Case	Plug Seal	Yes	Printed	Yes	Yes

**Dimensions = mm (inches)**

**TUBE**

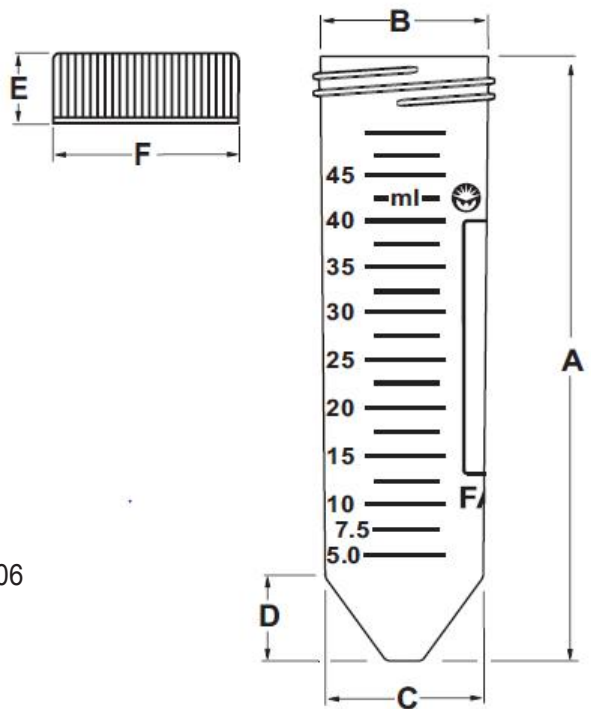
**A** = 114.55 (4.510)  
**B** = 0.D. 29.72 (1.170)  
**C** = 0.D. 27.94 (.1.100)  
**D** = 16.00 (.630)

Tube height w/cap = 115.80 (4.56)  
Top I.D. at rim = 27.81 (.1.095)  
O.D. at thread = 6.15 (.242)  
Bottom I.D. = 31.50 (.1.240)  
Bottom angle = 70 degrees  
Min. wall thickness = .97 (.038)  
Nominal volume = 50 mL  
RCF ratings = 16,000xg

- Chem. Compatibility: See Chemical Resistance Chart
- Threads to fit special cap design

**CAP**

33 mm Polyethylene Threaded. Cat. No. 358206  
Material: Blue HDPE  
**E** = 13.21 (.520)  
**F** = 0.D. 34.75 (.1.358)  
I.D. (bottom) = 31.65 (.1.368)



Threads are designed to fit Falcon® Tubes only.

Warranty/Disclaimer: Unless otherwise specified, all products are for research use only. Not intended for use in diagnostic or therapeutic procedures.